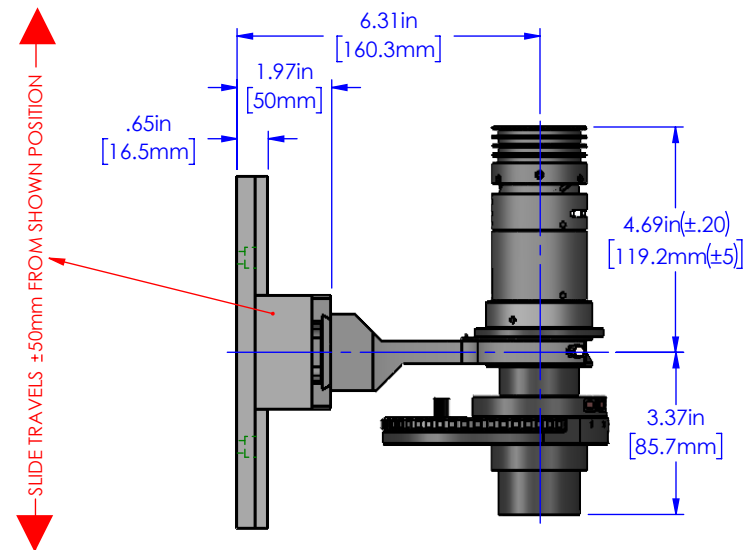
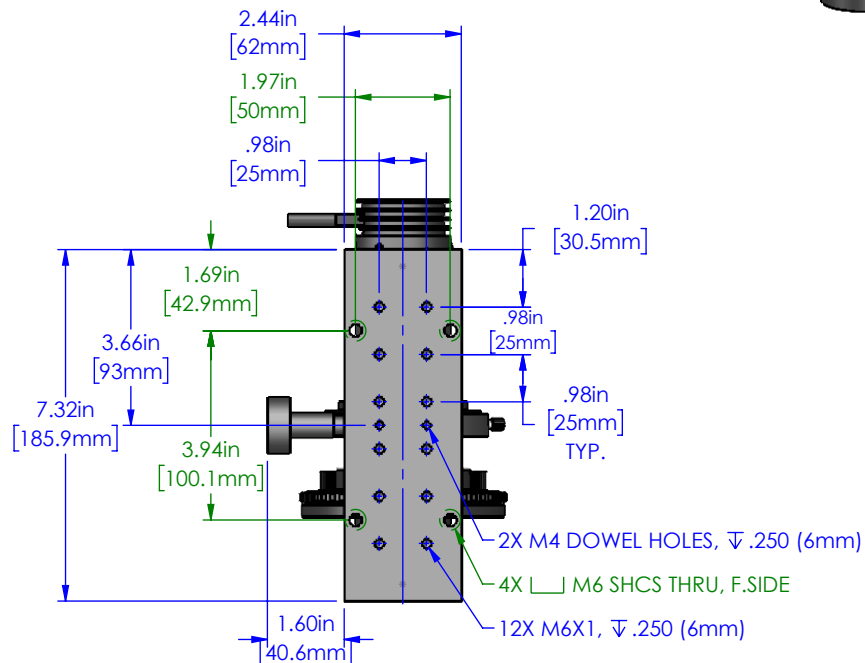
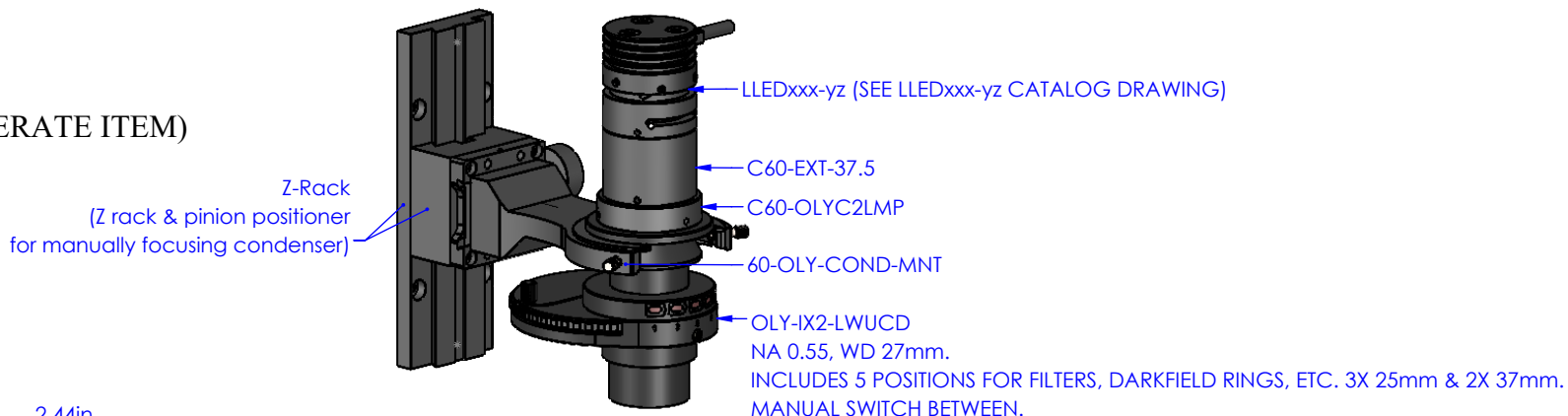


OLY-TRANS-ILLUM + LLEDxxx-yz

THIS DRAWING AND ALL DATA INCLUDED IS THE PROPERTY OF APPLIED SCIENTIFIC INSTRUMENTATION AND THE INFORMATION CONTAINED HEREIN IS FOR GENERAL PRESENTATION PURPOSES ONLY AND MAY CHANGE AT ANY TIME. CONTACT ASI OR A FACTORY REPRESENTATIVE FOR PROJECT SPECIFIC ENGINEERING.

OLY-TRANS-ILLUM INCLUDES

OLY-IX2-LWUCD,
C60-OLY-COND-MNT
C60-OLYC2LMP
Z-Rack
C60-EXT-37.5
(LLEDxxx-yz IS A SEPERATE ITEM)



PROPRIETARY AND CONFIDENTIAL
THE INFORMATION CONTAINED IN THIS DRAWING IS THE SOLE PROPERTY OF APPLIED SCIENTIFIC INSTRUMENTATION. ANY REPRODUCTION IN PART OR AS A WHOLE WITHOUT THE WRITTEN PERMISSION OF APPLIED SCIENTIFIC INSTRUMENTATION IS PROHIBITED.

APPLIED SCIENTIFIC INSTRUMENTATION
29391 W ENID RD
EUGENE, OR 97402-9533
PHONE: (541)461-8181
FAX: (541)461-4018

UNLESS OTHERWISE SPECIFIED
DIMENSIONS ARE IN INCHES
.xx ± .01
.xxx ± .005
.xxxx ± .002
FRACTIONS ± 1/32
ANGLES ± 1°

DESCRIPTION
TRANSILLUMINATION KIT BASED UPON
OLYMPUS IX2-LWUCD CONDENSER
(27 mm WD, 0.55 NA)

DRAWN BY/DATE

M.ANTHONY 7/25/23

CHECKED BY/DATE

V.MARSO
J.DANIELS 7/25/23

SCALE

1:4

REV

-

MATERIAL

VARIES

DRAWING #

OLY-TRANS-ILLUM + LLEDxxx-yy